

Project \_\_\_\_\_  
Item \_\_\_\_\_  
Quantity \_\_\_\_\_  
FCSI section \_\_\_\_\_  
Approval \_\_\_\_\_  
Date \_\_\_\_\_

# Condensation hood

Model

ConvoVent 4



## Key Features

- Efficient condensing of steam and vapour from the Convotherm 4 combi steamer and grease removal by 3-stage filter design
- Fully automatic control by the Convotherm 4 combi steamer with regulation of the condensing level according to need (2 fan speeds)
- Highly efficient air-to-air heat exchanger technology for energy-saving condensing with zero water consumption
- Built-in connection to the Convotherm 4 wastewater system with condensate drained via air vent
- Filters accessible from front or top for easy cleaning / maintenance
- Stainless steel baffle filter can be washed in dishwasher
- Also available for stacking-kit installation (two Convotherm 4 table-top models fitted one above the other)
- Front overhang for door opening steam capture
- Carbon embedded fiber filter for odor reduction

## Accessories

- Connection kit for stacked units
- For installations with unit size 6.20 on a stand a spacer unit is recommended to improve ergonomics

## Dimensions and weights

Part number	60264
For combi steamers of size	C4 6.20 / 10.20 electric
Dimensions	
Width x Depth x Height	44.4 x 49.5 x 12.7 "
Weights	
Net weight	228 lbs
Weight including packaging	300 lbs

## Electrical supply

Electrical supply*	
Rated voltage	120V 1PH 60Hz
Rated power consumption	84 - 360 W
Rated current	0.7 - 3.0 A
Power supply wire gauge	AWG 14
Plug (preinstalled)	NEMA 5-15

\* Mains electrical supply required at customer's site.

PLEASE NOTE: Installation of control interconnection to oven needed.

## Part numbers accessories

Connection kit	60265
Spacer unit standard	3455901
Spacer unit with pull out table	3455903

### Safety clearances for installation\*

Left-hand side	2 "
Rear	2 "
Top*	20 "

\* Depends on type of air ventilation system and nature of ceiling.

### Air flow rate

Reduced speed	381 cfm
Full speed	671 cfm

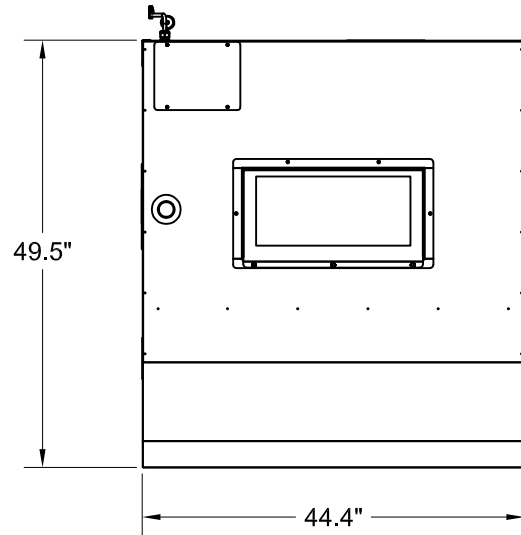
### Noise emission

Low speed	60 db
High speed	73 db

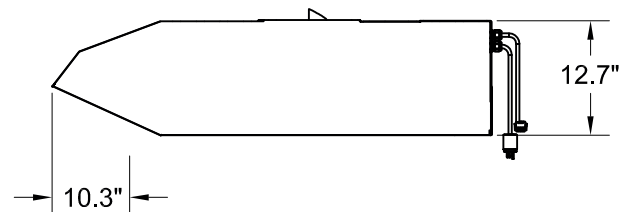
### Certificates

Approval mark	UL certified for US and Canada
UL Product Category	KNLZ

### Plan view



### Side view



Please observe the following points:

- This document is to be used solely for planning purposes.
- Please refer to the ConvoVent 4 installation instructions for further technical data and guidance on installation and positioning.
- ConvoVent 4 hood by Halton is designed for Convotherm 4 electric 6.20 and 10.20 combi ovens. This hood can not be used with electric smoker appliances.

9763402\_00 ENG\_USA 10/17. © 2017 Welbilt. Please note that the product is being continuously improved and that, as a result, these specifications are subject to change without notice.